

# RI 4192

## USB 3.0

## FEEDTHRU FILTER

Panel mountable  
USB 3.0 super-speed  
feedthru filter



### OVERVIEW

The RI 4192 is a Feedthru Filter for all types of applications where USB signals need to be fed through a shielded wall.

### APPLICATION

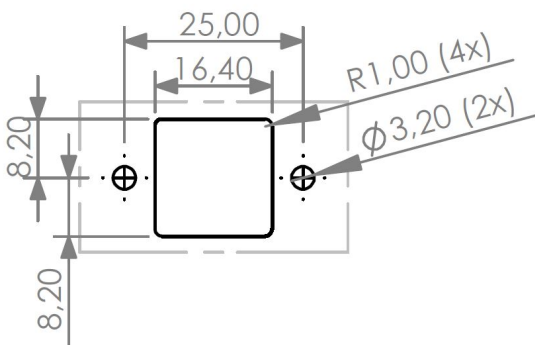
Primarily designed to fit in Ranatec's Shield Boxes but can be used separately.

### ELECTRICAL INTERFACES

To accommodate the switchable power feedthrough, the filter is non-reciprocal, which means that the USB host must be attached to the "B" connector of the filter. RI 4192 can supply one USB device with up to 2 A.

### MECHANICAL INTERFACES

The RI 4192 is prepared for panel mounting with two threaded M3 screw holes. It is delivered with an EMI/RFI shielding gasket for simple and reliable mounting.



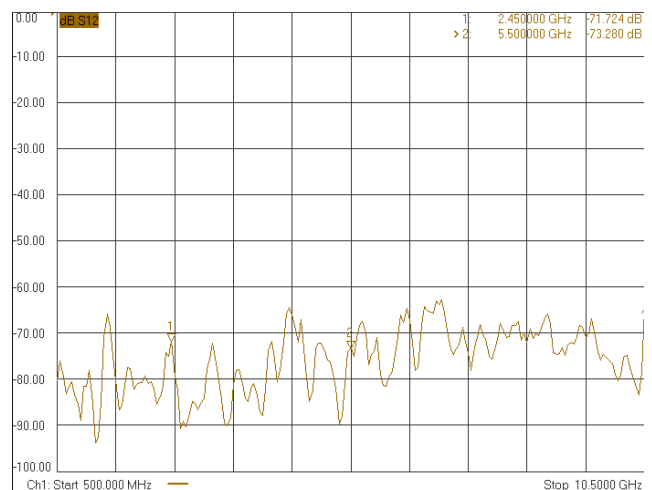
Panel cut-out recommendation (mm)

### FEATURES

- 75 dB filter suppression at 2.4, 5.8 and 7.125 GHz
- Filtered 2 A power feedthrough
- Panel mountable

### SPECIFICATION

USB device current feedthru:	2 A max
Connector front:	Type A, (F)
Connector back:	Type B, (F)
Material:	Aluminium
Dimensions:	36x68x24 mm
Weight:	90g



Typical filter suppression

### ORDERING

RI 4192      USB 3.0 Feedthru Filter